

HANKY
台灣恒基

**COSMETIC CONTAINER
PRINTING MACHINE**

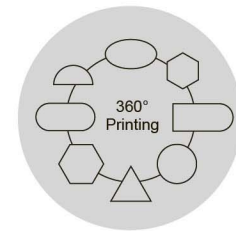


Highest flexible CNC controlled machine for fragrances bottle decoration.

HANKY offers the latest CNC-controlled servo drive technology for the decoration of any article shapes (round, oval, rectangular, square bottles/jars) in highest quality.

Features:

- For round, oval, square containers.
- Maximum printing area: L150mm, ø70mm
- Automatic Loading and Unloading, conveyor length 1 meter.
- Automatic CCD alignment for bottom mark or neck thread.
- 4 colors screen printing with UV curing unit.
(Optional to change to hot stamping)
- Color registration precision between colors ± 0.1 mm.
- All servo driven print head, no gear required.
- Max. Printing speed: 3000pcs per hour.
- The screen printing station can be converted into a hot stamping machine upon request.



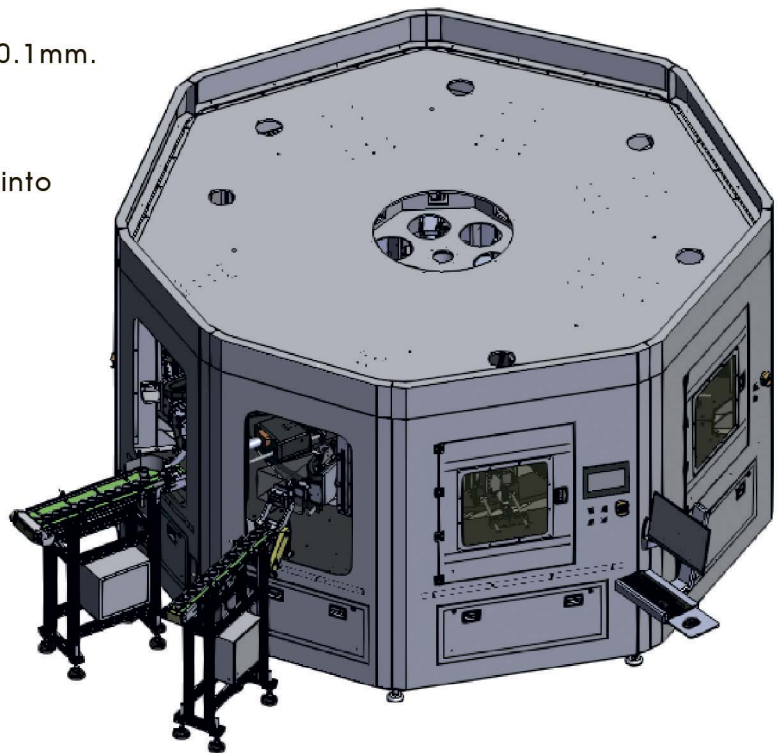
▲ CNC print head
(4-axis synchronous)



▲ Loading and unloading arms



▲ Printing jig

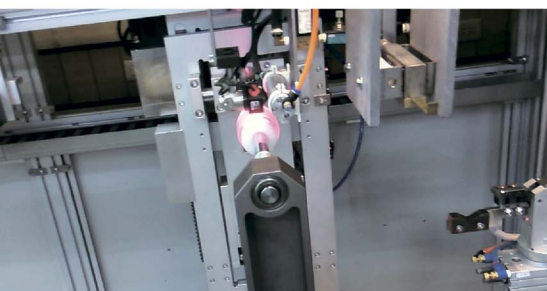


Function	CNC-4-3000
Loading Conveyor	1
Cleaning Station	1
Screen Printing	4 (possible to change hot stamping if required)
UV curing	4 (possible to change to LED UV)
Plasma Pre-treatment	1 (Can be replaced with corona or flame process)
CCD Registration	2 (One for container bottom, the other for neck)
Print Check	1 (Select)
Unloading Conveyor	1

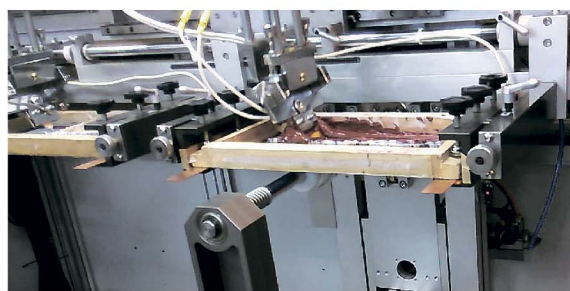
**For round, oval, square containers.
Max. container diameter Ø 100mm**



Function	TP-1-300	TP-2-300
Loading Conveyor Belt	1	1
Colors	1	2
Cleaning Station	1	1
Screen Printing	1	2
UV Curing	1	1
Flame Pre-treatment	1	1
Camera Registration	1	1
Printing Speed (p/h)	360	150
Unloading Conveyor	1	1



Printing Station ▶



◀ Pre-treatment

Proceeding machine for the pre-treatment of glass surfaces for optimized ink adhesion results.

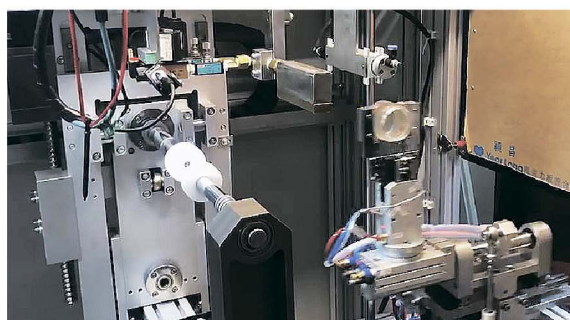


▶ Tooling

Only one set for each article changing, it saves a lot of tooling costs..

◀ UV curing

Low heating temperature, low energy consumption. Smaller size compare to traditional UV system. Servo motor driven control, no article, no lighting.



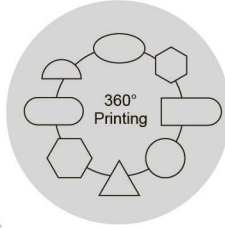
HANKY

Semi-Automatic Printing Equipment

Semi-Automatic Servo Screen Printing Machine

TP-450SS

- Printing range: $\varnothing 20\sim 100/L25\sim 150\text{mm}$
- Printing speed: 15~25pcs/min



Hot Stamping Machine

TY-350FCS



Curved Container Printing Machine

TP-430CAS



Flat Container Printing Machine

TP-430FS



Pad Printing Machine

Suitable for small area printing

HA-100SE

HA-100P



HANKY
台灣恒基

Hanky & Partners (Taiwan) Ltd.

T e l : +886-2-2299-3866

F a x : +886-2-2299-3868

E - m a i l : info@hanky.com.tw

Hanky Hong Kong

Hanky Shanghai

V-TECH (Guangzhou) Ltd.

Tel : +852-2619-9876

Tel : +86-21-6432-6681

Tel : +86-20-3222-6688